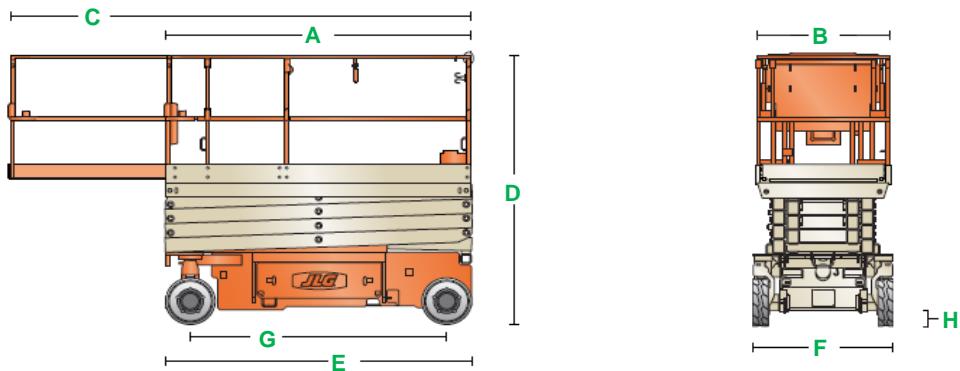


MEASUREMENTS		METRIC	IMPERIAL
Working height maximum*		7.60 m	25 ft
Platform height maximum		5.70 m	19 ft
Platform dimensions (length x width)			
A x B	Standard	1.87 m x 0.76 m	6 ft 2 in x 2 ft 6 in
C x B	Standard with extension	2.77 m x 0.76 m	9 ft 1 in x 2 ft 6 in
Slide-out platform extension deck		0.90 m	3 ft
Platform height lowered		0.86 m	2 ft 10 in
D	Height - stowed	1.98 m	6 ft 6 in
E	Length - stowed / extended	1.87 m / 2.74 m	6 ft 2 in / 9 ft
F	Width	0.76 m	2 ft 6 in
G	Wheelbase	1.60 m	5 ft 3 in
H	Ground clearance - centre	9 cm	4 in
	- with pothole guards deployed	2.5 cm	1 in

PRODUCTIVITY		
Platform capacity	230 kg	507 lb
Slide-out platform extension deck capacity	120 kg	264 lb
Maximum number of persons - indoor / outdoor use	2 / 1	2 / 1
Maximum wind speed (12.5 m/s)	45 km/h	28 mph
Drive speed - stowed	4.8 km/h	3 mph
Drive speed - raised	0.8 km/h	0.49 mph
Gradeability**	25%	14.04°
Inside turning radius	zero	zero
Outside turning radius	1.75 m	5 ft 9 in
Raise / lower speed	20 / 30 sec	20 / 30 sec
Controls	proportional	proportional
Tyres - solid non-marking	32 x 10 cm	12.5 x 4 in
Wheel load maximum***	699 kg	1,541 lb
Ground bearing pressure***	8.7 kg/cm ²	123 psi

POWER		
Power source	24 V (four 6 V 225 Ah batteries)	
Hydraulic tank capacity	3.60 L	0.95 gal lqd

WEIGHT****		
	1,510 kg	3,329 lb



*The metric equivalent of working height adds 2 m to platform height. Imperial adds 6 ft to platform height.

**Gradeability applies to driving on slopes. See operator's manual for details regarding slope rating.

***Floor loading information is approximate. It should be used only with adequate safety factors.

****Weight will vary depending on options.