

MANITOU 120SC

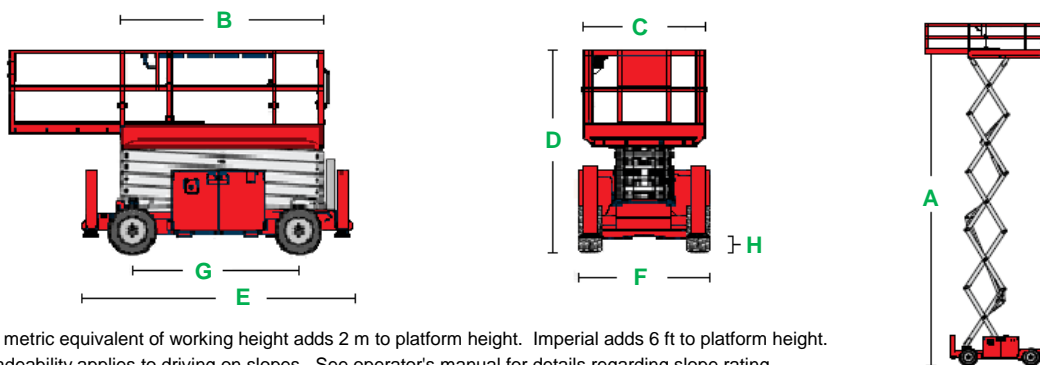


MEASUREMENTS		METRIC	IMPERIAL
Working height maximum*		11.80 m	38 ft 9 in
A	Platform height maximum	9.80 m	32 ft 2 in
Platform dimensions (length x width)			
B x C	Standard	2.51 m x 1.55 m	8 ft 3 in x 5 ft 1 in
	Standard with extension	3.73 m x 1.55 m	12 ft 3 in x 5 ft 1 in
Slide-out platform extension deck		1.22 m	4 ft
D	Height - stowed	2.46 m	8 ft
	Height - stowed: rails folded	1.83 m	6 ft
E	Length - stowed	3.40 m	11 ft 2 in
	Length - extended	4.10 m	13 ft 5 in
F	Width	1.75 m	5 ft 9 in
G	Wheelbase	1.85 m	6 ft 1 in
H	Ground clearance - centre	21 cm	8 in

PRODUCTIVITY		
Platform capacity	454 kg	1,000 lb
Maximum number of persons - indoor / outdoor use	4 / 2	4 / 2
Maximum wind speed (12.5 m/s)	45 km/h	28 mph
Drive speed - stowed	6.1 km/h	3.79 mph
Drive speed - raised	0.8 km/h	0.49 mph
Gradeability**	35%	19.29°
Maximum tilt	5%	3°
Inside turning radius	2.11 m	6 ft 11 in
Outside turning radius	4.60 m	15 ft 1 in
Raise / lower speed	42 / 28 sec	42 / 28 sec
Controls	proportional	proportional
Drive	four wheel	four wheel
Tyres - rough terrain NHS	26x12D380	26x12D380
Wheel load maximum***	1,485 kg	3,273 lb
Punching***	5.73 kg/cm ² (561 kPa)	81 psi

POWER	
Power source	Kubota diesel D1105 18.4 kW (25 hp)

WEIGHT****	
	4,213 kg 9,288 lb



*The metric equivalent of working height adds 2 m to platform height. Imperial adds 6 ft to platform height.

**Gradeability applies to driving on slopes. See operator's manual for details regarding slope rating.

***Floor loading information is approximate. It should be used only with adequate safety factors.

****Weight will vary depending on options.