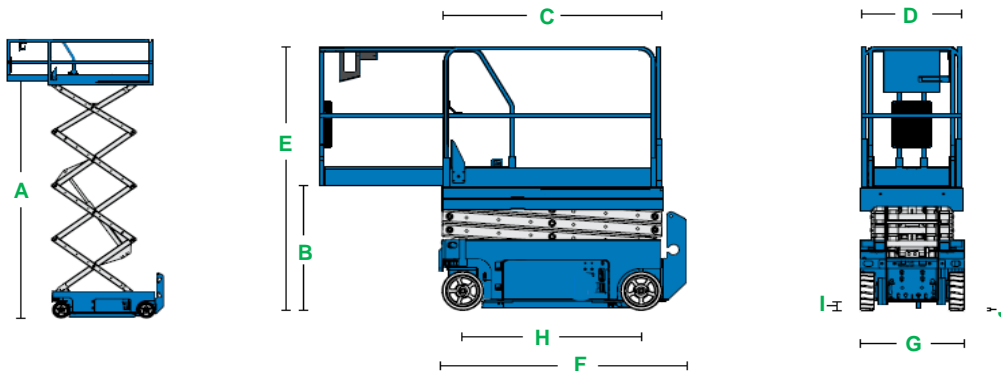


MEASUREMENTS		METRIC	IMPERIAL
Working height maximum*		7.90 m	26 ft
A	Platform height maximum	6.10 m	20 ft
B	Platform height stowed	1.03 m	3 ft 5 in
Platform dimensions (length x width)			
C x D	Standard	2.26 m x 0.81 m	7 ft 5 in x 2 ft 8 in
	Standard with extension	3.17 m x 0.81 m	10 ft 5 in x 2 ft 8 in
Slide-out platform extension deck		0.89 m	3 ft
Guardrail height		1.10 m	3 ft 7 in
Toeboard height		15 cm	6 in
E	Height - stowed	2.013 m	6 ft 7 in
F	Length - stowed / extended	2.44 m / 3.33 m	8 ft / 11 ft
G	Width	0.82 m	2 ft 8 in
H	Wheelbase	1.85 m	6 ft 1 in
I	Ground clearance - centre	9 cm	4 in
J	- with pothole guards deployed	2 cm	1 in

PRODUCTIVITY		
Platform capacity	363 kg	800 lb
Slide-out platform extension deck capacity	113 kg	249 lb
Maximum number of persons - indoor / outdoor use	2 / 1	2 / 1
Maximum wind speed (12.5 m/s)	45 km/h	28 mph
Drive speed - stowed	3.5 km/h	2.17 mph
Drive speed - raised	0.8 km/h	0.49 mph
Gradeability**	30%	16.70°
Inside turning radius	zero	zero
Outside turning radius	2.12 m	7 ft
Raise / lower speed	30 / 34 sec	30 / 34 sec
Controls	proportional	proportional
Drive	dual front wheel	dual front wheel
Tyres - solid non-marking	38 x 13 x 28 cm	15 x 5 x 11 ¼ in
Wheel load maximum***	802 kg	1,768 lb
Tyre contact pressure***	12.44 kg/cm ² (1219 kPa)	176 psi
Occupied floor pressure***	1,119 kg/m ² (11.68 kPa)	243 psf

POWER		
Power source	24 V DC (four 6 V 225 Ah batteries)	
Hydraulic system capacity	14.2 L	3.75 gal lqd

WEIGHT****		
	1,825 kg	4,023 lb



*The metric equivalent of working height adds 2 m to platform height. Imperial adds 6 ft to platform height.

**Gradeability applies to driving on slopes. See operator's manual for details regarding slope rating.

***Floor loading information is approximate. It should be used only with adequate safety factors.

****Weight will vary depending on options.