

JLG 2646ES

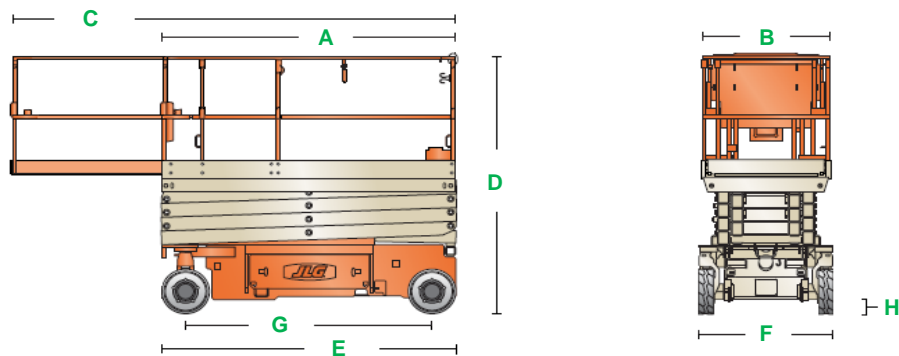


MEASUREMENTS		METRIC	IMPERIAL
Working height maximum*		9.92 m	32 ft 7 in
Platform height maximum		7.92 m	26 ft
Platform height lowered		1.26 m	4 ft 2 in
Platform dimensions (length x width)			
A x B	Standard	2.50 m x 1.12 m	8 ft 2 in x 3 ft 8 in
C x B	Standard with extension	3.77 m x 1.12 m	12 ft 4 in x 3 ft 8 in
Slide-out platform extension deck		1.27 m	4 ft 2 in
D	Height - stowed	2.36 m	7 ft 9 in
	Height - stowed: rails folded	1.97 m	6 ft 6 in
E	Length - stowed / extended	2.50 m / 3.77 m	8 ft 2 in / 12 ft 4 in
F	Width	1.17 m	3 ft 10 in
G	Wheelbase	2.09 m	6 ft 10 in
H	Ground clearance - centre	13 cm	5 in

PRODUCTIVITY		
Platform capacity	450 kg	992 lb
Maximum number of persons - indoor / outdoor use	2 / 2	2 / 2
Maximum wind speed (12.5 m/s)	45 km/h	28 mph
Drive speed - raised	0.8 km/h	0.49 mph
Gradeability**	25%	14.04°
Inside turning radius	zero	zero
Outside turning radius	2.41 m	7 ft 11 in
Raise / lower speed	40 / 40 sec	40 / 40 sec
Controls	proportional	proportional
Drive	front wheel	front wheel
Tyres - solid non-marking	40 x 12.5 cm	16 x 5 in
Wheel load maximum***	1,052 kg	2,319 lb
Ground bearing pressure***	6.9 kg/cm ² (676 kPa)	98 psi

POWER		
Power source	24 V DC (four 6 V 225 Amp h batteries)	
Hydraulic tank capacity	7.1 L	1.87 gal lqd

WEIGHT****		
	2,753 kg	6,069 lb



*The metric equivalent of working height adds 2 m to platform height. Imperial adds 6 ft to platform height.

**Gradeability applies to driving on slopes. See operator's manual for details regarding slope rating.

***Floor loading information is approximate. It should be used only with adequate safety factors.

****Weight will vary depending on options.