

MANITOU 170AETJ-L

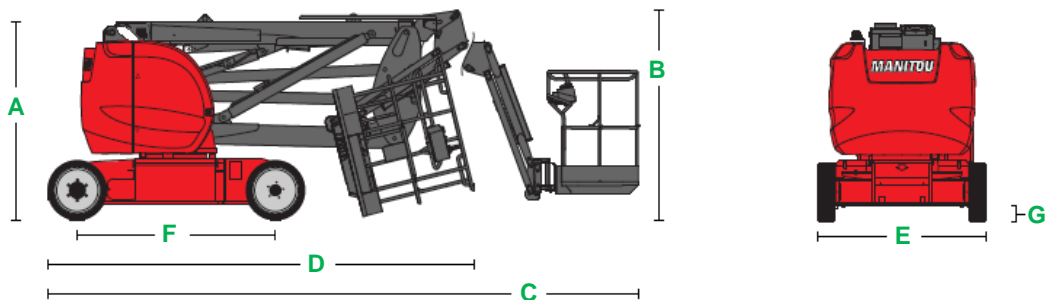


MEASUREMENTS		METRIC	IMPERIAL
Working height maximum*		16.90 m	55 ft 5 in
Platform height maximum		14.90 m	49 ft
Articulation height		7.15 m	23 ft 5 in
Outreach		9.40 m	30 ft 10 in
Platform dimensions (length x width)		0.96 m x 1.20 m	3 ft 2 in x 4 ft
A	Height	1.97 m	6 ft 6 in
B	Height - when folded	2.04 m	6 ft 8 in
C	Length	6.84 m	22 ft 5 in
D	Length - when folded	5.12 m	16 ft 10 in
E	Width	1.75 m	5 ft 9 in
F	Wheelbase	2 m	6 ft 7 in
G	Ground clearance - centre	14 cm	5 in

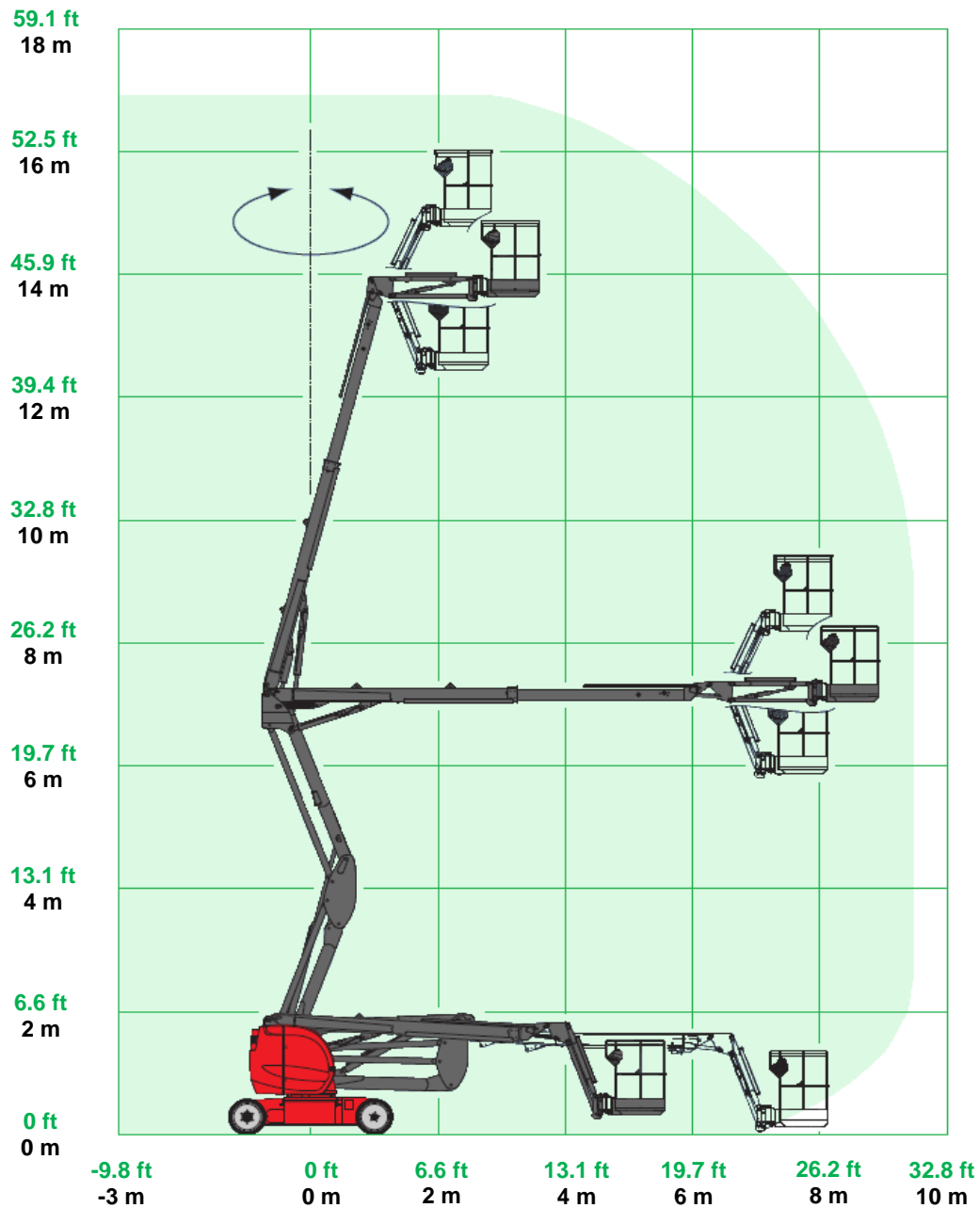
PRODUCTIVITY		
Platform capacity	200 kg	440 lb
Maximum number of persons - indoor / outdoor use	2 / 2	2 / 2
Maximum wind speed (12.5 m/s)	45 km/h	28 mph
Turret rotation	355°	355°
Basket rotation	140°	140°
Jib tilting	+70° / -70°	+70° / -70°
Drive speed - stowed	5 km/h	3 mph
Drive speed - booms raised	0.60 km/h	0.37 mph
Gradeability - stowed**	22%	12.41°
Maximum tilt	5%	3°
Inside turning radius	1.97 m	6 ft 6 in
Outside turning radius	4.30 m	14 ft
Basket turning radius	5.60 m	18 ft 4 in
Controls	proportional	proportional
Tyres - non-marking	60 x 19 cm	23 x 7 in
Driving wheels	2 (back)	2 (back)
Steering / directional wheels	2 (front)	2 (front)
Wheel load maximum***	4,200 kg	9,270 lb

POWER	
Power source	2 x 24 V 240 Ah batteries

WEIGHT****	
	6,910 kg 15,233 lb



MANITOU 170AETJ-L RANGE OF MOTION



*The metric equivalent of working height adds 2 m to platform height. Imperial adds 6 ft to platform height.

**Gradeability applies to driving on slopes. See operator's manual for details regarding slope rating.

***Floor loading information is approximate. It should be used only with adequate safety factors.

****Weight will vary depending on options.