

MANITOU 200ATJ

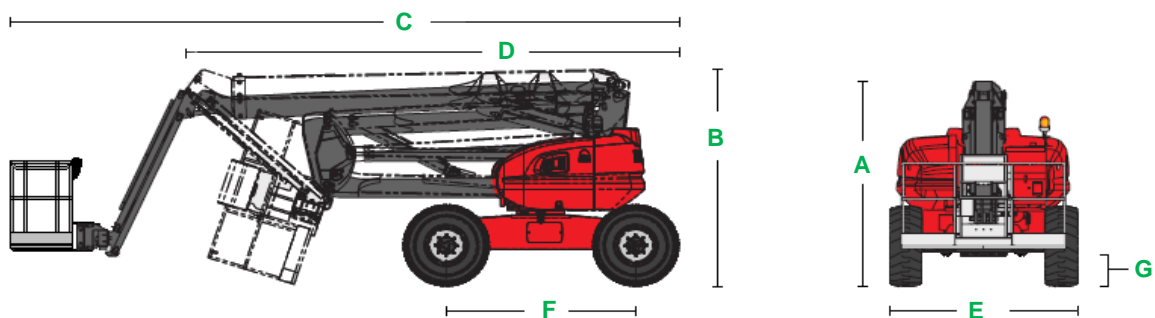


MEASUREMENTS		METRIC	IMPERIAL
Working height maximum*		20 m	65 ft 7 in
Platform height maximum		18.30 m	60 ft
Articulation height		8 m	26 ft 3 in
Outreach		12 m	39 ft 4 in
Platform dimensions (length x width)		0.80 m x 2.10 m	2 ft 7 in x 6 ft 11 in
A	Height	2.70 m	8 ft 10 in
B	Height - when folded	3.15 m	10 ft 4 in
C	Length	8.50 m	27 ft 11 in
D	Length - when folded	6.30 m	20 ft 8 in
E	Width	2.40 m	7 ft 10 in
F	Wheelbase	2.40 m	7 ft 10 in
G	Ground clearance - centre	43 cm	1 ft 5 in

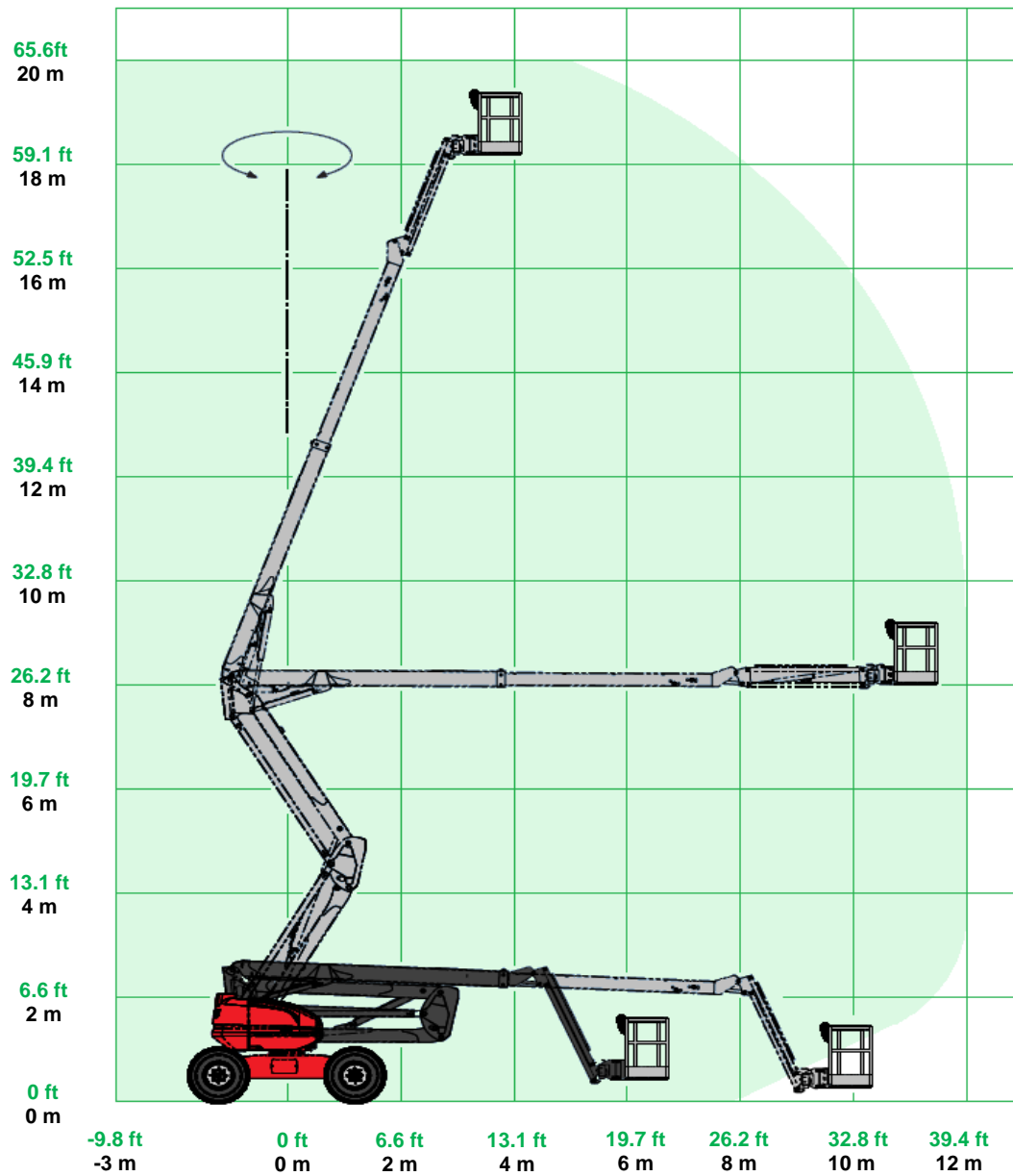
PRODUCTIVITY		
Platform capacity	230 kg	507 lb
Maximum number of persons	2	2
Maximum wind speed (12.5 m/s)	45 km/h	28 mph
Platform rotation	+90° / -90°	+90° / -90°
Turret rotation	350°	350°
Jib tilting	+70° / -70°	+70° / -70°
Drive speed - stowed	4.70 km/h	2.92 mph
Drive speed - booms raised**	0.80 km/h	0.49 mph
Gradeability - stowed***	40%	21.80°
Maximum tilt	9%	5°
Inside turning circle	1.30 m	4 ft 3 in
Outside turning circle	3.95 m	12 ft 12 in
Basket turning radius	7.45 m	24 ft 5 in
Raise speed	40 sec	40 sec
Controls	proportional	proportional
Drive	four wheel - crab	four wheel - crab
Tyres - foam-filled RT lug	405/70-20	405/70-20
Wheel load maximum (+ offset on 1 wheel)****	6,261 kg	13,803 lb
Floor area supporting 1 wheel****	600 cm ²	0.6 ft ²
Pressure****	10.43 daN/cm ²	-

POWER	
Power source	Kubota 4 cylinder diesel 34 kW (46 hp)

WEIGHT****	
	10,050 kg 22,156 lb



MANITOU 200ATJ RANGE OF MOTION



*The metric equivalent of working height adds 2 m to platform height. Imperial adds 6 ft to platform height.

**In lift mode (platform raised) the machine is designed to operate on firm, level surfaces only.

***Gradeability applies to driving on slopes. See operator's manual for details regarding slope rating.

****Floor loading information is approximate. It should be used only with adequate safety factors.

*****Weight will vary depending on options.